

PARTS LIST

NX-PN7J,NX-PN7C,NX-PN7B
NX-PN7E,NX-PN7EN,NX-PN7EV
NX-PN7A,NX-PN7US,NX-PN7UW
NX-PN7UJ

* All printed circuit boards and its assemblies are not available as service parts.

- Contents -

Exploded view of general assembly and parts list (Block No.M1)	3- 2
Electrical parts list (Block No.01~05).....	3- 5
Packing materials and accessories parts list (Block No.M3)	3-12

General Assembly

Block No. [M][1][M][M]

△	Symbol No.	Part No.	Part Name	Description	Local
	1	BI300S00003000	PUNCHING PANEL		
	2	BI3029130101X1	RUBBER B	(x4)	
	3	BI1005520101X1	HOLDER	iPod	
	4	BI1005540101X1	DOOR-L	iPod	
	5	BI1005530101X1	DOOR-R	iPod	
	6	BI1005469101X1	FRONT CABINET		J,C,B,E,EN,EV
	6	BI1005469102X1	FRONT CABINET		A,US,UW,UJ
	7	BI372W26100BTN	TAPPING SCREW	FRONT CABINET(x4)	
	8	BI2034810101X1	SPRING	L	
	9	BI2034800101X1	SPRING	R	
	10	BI1006650101X1	HOLDER	iPod(x2)	
	11	BI1005490101X1	BUTTON		
	12	BI1005500101X1	BUTTON		
	13	BI1005450401X1	DISPLAY WINDOW		J,C,B,E,EN,EV
	13	BI1005450302X1	DISPLAY WINDOW		A,US,UW,UJ
	14	BI1005480101X1	AD ORNAMENT		J,C,B,E,EN,EV
	14	BI1005480102X1	AD ORNAMENT		A,US,UW,UJ
	15	BI372B26100BTN	TAPPING SCREW	iPod PCB(x5)	
	16	BI200010014271	CONE SPEAKER	(x2)	
	17	BI372B26100BTN	TAPPING SCREW	SPEAKER(x8)	
	18	BI1006679101X1	DUCT BOTTOM L		
	19	BI1005589101X1	DUCT TOP L		
	20	BI1006689101X1	DUCT BOTTOM R		
	21	BI1005599101X1	DUCT TOP R		
	22	BI372B26100BTN	TAPPING SCREW	DUCT(x4)	
	23	BI26080BTN1	TAPPING SCREW	HEAD 2.6xL8mm(x7)	
	24	BI1005559101X1	SPEAKER COVER	L	
	25	BI1005569101X1	SPEAKER COVER	R	
	26	BI372B26100BTN	TAPPING SCREW	SPEAKER COVER(x12)	
	27	BI300N00066000	LED HOLDER L	FRAME LED L	
	28	BI300N00067000	LED HOLDER R	FRAME LED R	
	29	BI372B26100BTN	TAPPING SCREW	LED HOLDER(x2)	
	30	BI372B26100BTN	TAPPING SCREW	ANT JACK(x2)	
	31	BI1006630101X1	PCB HOLDER	(x3)	
	32	BI372W26100BTN	TAPPING SCREW	PCB HOLDER(x3)	
	33	BI1006640101X1	HOLDER	(x2)	
	34	BI372B26120NTN	TAPPING SCREW	HOLDER(x2)	
	35	BI2035210101X1	BRACKET		J,C
	35	BI2035200101X1	BRACKET		B,E,EN,EV,A,US,UW,UJ
	36	BI372B26100BTN	TAPPING SCREW	CORD BRACKET(x2)	
	37	BI372B30100BTN	TAPPING SCREW	HEAD 3xL10mm	
	38	BI375W30080NMN	SCREW	WASHER HEAD 3x8mm(x4)	
	39	BI2034480102X1	HEAT SINK A		
	40	BI2034490102X1	HEAT SINK B		
	41	BI372P30060NTN	TAPPING SCREW	HEAD 3xL6mm(x5)	
	42	BI300S00002000	REAR CABINET		
	43	BI372B26100BTN	TAPPING SCREW	REAR CABINET(x13)	
	44	BI3029140101X1	RUBBER FOOT	(x4)	
△	45	BI212011020001	AC ADAPTOR		J,C
	46	BI155S12120100	FFC	12P P=1.0mm	
	47	BI12P120024X	CONNECTOR WIRE	MAIN PCB TO iPod PCB	
	48	BI12P120024X	CONNECTOR WIRE	MAIN PCB TO iPod PCB	
	49	BI12P40348X	CONNECTOR WIRE	SPEAKER WIRE	
	50	BI12P40355X	CONNECTOR WIRE	MAIN PCB TO LED PCB	
	51	BI12P40355X	CONNECTOR WIRE	MAIN PCB TO LED PCB	

Electrical parts list

Main board

Block No. [0][1]

△ Symbol No.	Part No.	Part Name	Description	Local
U301	BI102024X	IC	KIA7805AP/API	
U302	BI102024X	IC	KIA7805AP/API	
△ U303	BI126541V	IC	TDA7266SA 7W+7W	
U304	BI126381V	IC	T5CB5 MCU P-QF	
U306	BI126791X	IC	MF1341S2163	
U310	BI113231X	IC	TDA7440D	
U311	BI103952X	IC	BA4558F	
U701	BI103952X	IC	BA4558F	
U702	BI103952X	IC	BA4558F	
U703	BI117371X	IC	NJM2233BM-TE2	
U704	BI119711X	IC	CD74HC4094M SOP16	
U705	BI119711X	IC	CD74HC4094M SOP16	
U801	BI100NS9542000	IC	NS9542 C FOR AM FM	J,C
U801	BI100NS9543000	IC		B,E,EN,E V,A,US,U W,UJ
U802	BI29FF872A000V	IC		
Q301	DTA124EUA	TRANSISTOR	BI2DTA124EUA00	
Q302	DTC114YK	DIGI TRANSISTOR	BI2DTC114YKA018	
Q303	KTA1273	TRANSISTOR	BI2KTA1273P0008	
Q304	2SC3052	TRANSISTOR	BI2SC3052FA013H	
Q305	KTC3205	TRANSISTOR	BI2KTC3205P0008	J,C
Q306	DTC114TK	DIGI TRANSISTOR	BI2DTC114TKA011	
Q307	DTA114TK	DIGI TRANSISTOR	BI2DTA114TKA011	
Q308	BI2AP3403GHA00	TRANSISTOR	P	J,C
Q309	2SC3052	TRANSISTOR	BI2SC3052FA013H	
Q310	DTC114YK	DIGI TRANSISTOR	BI2DTC114YKA018	J,C
Q311	2SC3052	TRANSISTOR	BI2SC3052FA013H	
Q312	2SC3052	TRANSISTOR	BI2SC3052FA013H	
Q313	2SC3052	TRANSISTOR	BI2SC3052FA013H	
Q314	KTA1505	TRANSISTOR	BI2KTA1505A014	
Q315	2SC3052	TRANSISTOR	BI2SC3052FA013H	
Q316	KTC3205	TRANSISTOR	BI2KTC3205P0008	J,C
Q317	DTA124EUA	TRANSISTOR	BI2DTA124EUA00	J,C
Q318	KTA1505	TRANSISTOR	BI2KTA1505A014	
Q319	2SC3052	TRANSISTOR	BI2SC3052FA013H	
Q320	DTA114EK	DIGI TRANSISTOR	BI2DTA114EKA011	
Q321	DTA124EUA	TRANSISTOR	BI2DTA124EUA00	
Q323	DTC114TK	DIGI TRANSISTOR	BI2DTC114TKA011	B,E,EN,E V,A,US,U W,UJ
Q324	2SC3052	TRANSISTOR	BI2SC3052FA013H	
Q325	2SC3052	TRANSISTOR	BI2SC3052FA013H	
Q326	2SC3052	TRANSISTOR	BI2SC3052FA013H	
Q327	KTC3876	TRANSISTOR	BI2KTC3876A014	
Q328	DTC114YK	DIGI TRANSISTOR	BI2DTC114YKA018	J,C
Q329	DTC114YK	DIGI TRANSISTOR	BI2DTC114YKA018	
Q330	DTC114YK	DIGI TRANSISTOR	BI2DTC114YKA018	
Q331	DTC114YK	DIGI TRANSISTOR	BI2DTC114YKA018	
Q701	KTA1505	TRANSISTOR	BI2KTA1505A014	
Q702	DTC114TK	DIGI TRANSISTOR	BI2DTC114TKA011	
Q703	KTA1505	TRANSISTOR	BI2KTA1505A014	
Q704	DTC114TK	DIGI TRANSISTOR	BI2DTC114TKA011	
Q705	KTA1505	TRANSISTOR	BI2KTA1505A014	
Q706	DTC114TK	DIGI TRANSISTOR	BI2DTC114TKA011	
Q707	KTA1505	TRANSISTOR	BI2KTA1505A014	
Q708	2SC3052	TRANSISTOR	BI2SC3052FA013H	
D301	RB081L-20	DIODE	BI3RB081L20A02	
D302	1N4003	DIODE	BI31N4003LEM000	
D304	BI3MTZJ51BM000	Z DIODE	MTZ J 5.1B 26mm	
D305	LL4148	SWITCH DIODE	BI3LL4148A0180	
D306	LL4148	SWITCH DIODE	BI3LL4148A0180	
D307	LL4148	SWITCH DIODE	BI3LL4148A0180	
D308	LL4148	SWITCH DIODE	BI3LL4148A0180	
D309	LL4148	SWITCH DIODE	BI3LL4148A0180	
D310	1SS355	DIODE	BI31SS355A0077	
D311	LL4148	SWITCH DIODE	BI3LL4148A0180	
D312	BI3MTZJ91BM000	Z DIODE	MTZ J 9.1B 26mm	

△ Symbol No.	Part No.	Part Name	Description	Local
D314	LL4148	SWITCH DIODE	BI3LL4148A0180	
D315	LL4148	SWITCH DIODE	BI3LL4148A0180	
D316	LL4148	SWITCH DIODE	BI3LL4148A0180	
D317	LL4148	SWITCH DIODE	BI3LL4148A0180	
D318	LL4148	SWITCH DIODE	BI3LL4148A0180	
D321	LL4148	SWITCH DIODE	BI3LL4148A0180	
D322	1SS355	DIODE	BI31SS355A0077	
D324	MTZJ20B	Z DIODE	BI3MTZJ20BM000	B,E,EN,E V,A,US,U W,UJ
D325	LL4148	SWITCH DIODE	BI3LL4148A0180	
D326	LL4148	SWITCH DIODE	BI3LL4148A0180	
D327	LL4148	SWITCH DIODE	BI3LL4148A0180	
D703	1SS355	DIODE	BI31SS355A0077	
D704	1SS355	DIODE	BI31SS355A0077	
D705	1SS355	DIODE	BI31SS355A0077	
D706	1SS355	DIODE	BI31SS355A0077	
D707	1SS355	DIODE	BI31SS355A0077	
D708	1SS355	DIODE	BI31SS355A0077	
D709	1SS355	DIODE	BI31SS355A0077	
D710	1SS355	DIODE	BI31SS355A0077	
D801	1SS355	DIODE	BI31SS355A0077	
D802	1SS355	DIODE	BI31SS355A0077	
C302	BICC101500JA04	C CAPACITOR	100pF 50V	
C303	BICC104500KA04	C CAPACITOR	0.1uF 50V	
C304	BICT476100MA00	TA CAPACITOR	47uF 10V	
C306	BICC101500JA04	C CAPACITOR	100pF 50V	
C307	BICC104500KA04	C CAPACITOR	0.1uF 50V	
C308	BICT476100MA00	TA CAPACITOR	47uF 10V	
C309	BICC104500KA04	C CAPACITOR	0.1uF 50V	
C310	BICE107100MP01	E CAPACITOR	100uF 10V	
C311	BICC470500JA04	C CAPACITOR	47pF 50V	
C312	BICC470500JA04	C CAPACITOR	47pF 50V	
C313	BICC104500KA04	C CAPACITOR	0.1uF 50V	
C314	BICC104500KA02	C CAPACITOR	0.1uF 50V	
C315	BICC104500KA04	C CAPACITOR	0.1uF 50V	
C316	BICC104500KA04	C CAPACITOR	0.1uF 50V	
C317	BICE108250MP01	E CAPACITOR	1000uF 25V	J,C
C318	BICC104500KA04	C CAPACITOR	0.1uF 50V	J,C
C320	BICE105500MP01	E CAPACITOR	1uF 50V	
C321	BICC470500JA04	C CAPACITOR	47pF 50V	
C322	BICC470500JA04	C CAPACITOR	47pF 50V	
C323	BICC470500JA04	C CAPACITOR	47pF 50V	
C324	BICT226160MA00	TA CAPACITOR	22uF 16V	
C325	BICC104500KA04	C CAPACITOR	0.1uF 50V	
C326	BICC470500JA04	C CAPACITOR	47pF 50V	
C327	BICC470500JA04	C CAPACITOR	47pF 50V	
C328	BICC470500JA04	C CAPACITOR	47pF 50V	
C329	BICC470500JA04	C CAPACITOR	47pF 50V	
C330	BICC102500KA04	C CAPACITOR	1000pF 50V	
C331	BICC104500KA04	C CAPACITOR	0.1uF 50V	
C332	BICC470500JA04	C CAPACITOR	47pF 50V	
C333	BICC470500JA04	C CAPACITOR	47pF 50V	
C334	BICC101500JA04	C CAPACITOR	100pF 50V	
C335	BICC101500JA04	C CAPACITOR	100pF 50V	
C336	BICC101500JA04	C CAPACITOR	100pF 50V	
C337	BICC101500JA04	C CAPACITOR	100pF 50V	
C338	BICC101500JA04	C CAPACITOR	100pF 50V	
C339	BICC101500JA04	C CAPACITOR	100pF 50V	
C340	BICC101500JA04	C CAPACITOR	100pF 50V	
C341	BICC101500JA04	C CAPACITOR	100pF 50V	
C342	BICC101500JA04	C CAPACITOR	100pF 50V	
C343	BICC101500JA04	C CAPACITOR	100pF 50V	
C344	BICC101500JA04	C CAPACITOR	100pF 50V	
C348	BICC151500JA04	C CAPACITOR	150pF 50V	
C349	BICC151500JA04	C CAPACITOR	150pF 50V	
C350	BICC104500KA04	C CAPACITOR	0.1uF 50V	
C351	BICC180500JA04	C CAPACITOR	18pF 50V	
C352	BICC180500JA04	C CAPACITOR	18pF 50V	
C353	BICC104500KA04	C CAPACITOR	0.1uF 50V	
C354	BICC104500KA04	C CAPACITOR	0.1uF 50V	
C355	BICC225100KA04	C CAPACITOR	2.2uF 10V	
C356	BICC225100KA04	C CAPACITOR	2.2uF 10V	
C357	BICC225100KA04	C CAPACITOR	2.2uF 10V	
C358	BICC225100KA04	C CAPACITOR	2.2uF 10V	

△ Symbol No.	Part No.	Part Name	Description	Local	△ Symbol No.	Part No.	Part Name	Description	Local
C359	BICC225100KA04	C CAPACITOR	2.2uF 10V		C475	BICC470500JA04	C CAPACITOR	47pF 50V	
C360	BICC225100KA04	C CAPACITOR	2.2uF 10V		C476	BICC470500JA04	C CAPACITOR	47pF 50V	
C361	BICC225100KA04	C CAPACITOR	2.2uF 10V		C477	BICC470500JA04	C CAPACITOR	47pF 50V	
C362	BICC225100KA04	C CAPACITOR	2.2uF 10V		C478	BICC470500JA04	C CAPACITOR	47pF 50V	
C364	BICC104500KA04	C CAPACITOR	0.1uF 50V		C479	BICC470500JA04	C CAPACITOR	47pF 50V	
C365	BICC470500JA04	C CAPACITOR	47pF 50V		C480	BICC470500JA04	C CAPACITOR	47pF 50V	
C366	BICC475250KA02	C CAPACITOR	4.7uF 25V		C481	BICC470500JA04	C CAPACITOR	47pF 50V	
C367	BICC475250KA02	C CAPACITOR	4.7uF 25V		C482	BICC470500JA04	C CAPACITOR	47pF 50V	
C368	BICC475250KA02	C CAPACITOR	4.7uF 25V		C483	BICC470500JA04	C CAPACITOR	47pF 50V	
C369	BICC475250KA02	C CAPACITOR	4.7uF 25V		C484	BICC470500JA04	C CAPACITOR	47pF 50V	
C370	BICC225100KA04	C CAPACITOR	2.2uF 10V		C485	BICC470500JA04	C CAPACITOR	47pF 50V	
C371	BICC225100KA04	C CAPACITOR	2.2uF 10V		C486	BICC470500JA04	C CAPACITOR	47pF 50V	
C372	BICC104500KA04	C CAPACITOR	0.1uF 50V		C487	BICC470500JA04	C CAPACITOR	47pF 50V	
C373	BICC104500KA04	C CAPACITOR	0.1uF 50V		C488	BICC470500JA04	C CAPACITOR	47pF 50V	
C374	BICC104500KA04	C CAPACITOR	0.1uF 50V		C489	BICC470500JA04	C CAPACITOR	47pF 50V	
C375	BICC104500KA04	C CAPACITOR	0.1uF 50V		C490	BICC470500JA04	C CAPACITOR	47pF 50V	
C376	BICT476100MA00	TA CAPACITOR	47uF 10V		C491	BICC470500JA04	C CAPACITOR	47pF 50V	
C377	BICC104500KA04	C CAPACITOR	0.1uF 50V		C701	BICC106063MA03	C CAPACITOR	10uF 6.3V	
C378	BICT106160MA00	C CAPACITOR	10uF 16V		C702	BICC106063MA03	C CAPACITOR	10uF 6.3V	
C379	BICC562500KA04	C CAPACITOR	5600pF 50V		C703	BICC470500JA04	C CAPACITOR	47pF 50V	
C380	BICC562500KA04	C CAPACITOR	5600pF 50V		C705	BICC470500JA04	C CAPACITOR	47pF 50V	
C381	BICC104500KA04	C CAPACITOR	0.1uF 50V		C706	BICC470500JA04	C CAPACITOR	47pF 50V	
C383	BICT476063MA00	TA CAPACITOR	47uF 6.3V		C707	BICC470500JA04	C CAPACITOR	47pF 50V	
C384	BICC104500KA04	C CAPACITOR	0.1uF 50V		C708	BICT226160MA00	TA CAPACITOR	22uF 16V	
C385	BICC470500JA04	C CAPACITOR	47pF 50V		C709	BICC104500KA04	C CAPACITOR	0.1uF 50V	
C386	BICC470500JA04	C CAPACITOR	47pF 50V		C710	BICC102500KA04	C CAPACITOR	1000pF 50V	
C387	BICC470500JA04	C CAPACITOR	47pF 50V		C711	BICC102500KA04	C CAPACITOR	1000pF 50V	
C388	BICC470500JA04	C CAPACITOR	47pF 50V		C712	BICC106063MA04	C CAPACITOR	10uF	
C389	BICC102500KA04	C CAPACITOR	1000pF 50V		C713	BICC106063MA04	C CAPACITOR	10uF	
C390	BICC102500KA04	C CAPACITOR	1000pF 50V		C714	BICC106063MA03	C CAPACITOR	10uF 6.3V	
C391	BICC470500JA04	C CAPACITOR	47pF 50V		C715	BICC101500JA04	C CAPACITOR	100pF 50V	
C392	BICC470500JA04	C CAPACITOR	47pF 50V		C716	BICC101500JA04	C CAPACITOR	100pF 50V	
C393	BICC470500JA04	C CAPACITOR	47pF 50V		C717	BICC106063MA03	C CAPACITOR	10uF 6.3V	
C394	BICC470500JA04	C CAPACITOR	47pF 50V		C718	BICC106063MA03	C CAPACITOR	10uF 6.3V	
C401	BICC104500KA04	C CAPACITOR	0.1uF 50V		C719	BICC106063MA04	C CAPACITOR	10uF	
C403	BICC200500JA04	C CAPACITOR	20pF 50V		C720	BICC106063MA04	C CAPACITOR	10uF	
C404	BICC200500JA04	C CAPACITOR	20pF 50V		C721	BICC104500KA04	C CAPACITOR	0.1uF 50V	
C410	BICC470500JA04	C CAPACITOR	47pF 50V		C722	BICC104500KA04	C CAPACITOR	0.1uF 50V	
C411	BICC470500JA04	C CAPACITOR	47pF 50V		C723	BICC470500JA04	C CAPACITOR	47pF 50V	
C412	BICC470500JA04	C CAPACITOR	47pF 50V		C724	BICT476063MA00	TA CAPACITOR	47uF 6.3V	
C413	BICC470500JA04	C CAPACITOR	47pF 50V		C725	BICC106063MA03	C CAPACITOR	10uF 6.3V	
C414	BICC470500JA04	C CAPACITOR	47pF 50V		C726	BICC106063MA03	C CAPACITOR	10uF 6.3V	
C415	BICC470500JA04	C CAPACITOR	47pF 50V		C727	BICC106063MA03	C CAPACITOR	10uF 6.3V	
C418	BICE47825M6	E CAPACITOR	4700uF 25V		C728	BICC101500JA04	C CAPACITOR	100pF 50V	
C419	BICC104500KA02	C CAPACITOR	0.1uF 50V		C729	BICC101500JA04	C CAPACITOR	100pF 50V	
C421	BICE22810M	E CAPACITOR	2200 UF 10 V		C730	BICC470500JA04	C CAPACITOR	47pF 50V	
C426	BICC104500KA04	C CAPACITOR	0.1uF 50V		C731	BICC470500JA04	C CAPACITOR	47pF 50V	
C429	BICC104500KA04	C CAPACITOR	0.1uF 50V		C732	BICC102500KA04	C CAPACITOR	1000pF 50V	
C430	BICC475250KA02	C CAPACITOR	4.7uF 25V		C733	BICC102500KA04	C CAPACITOR	1000pF 50V	
C431	BICE227100MP01	E CAPACITOR	220uF 10V		C734	BICT476100MA00	TA CAPACITOR	47uF 10V	
C433	BICC104500KA04	C CAPACITOR	0.1uF 50V		C735	BICC101500JA04	C CAPACITOR	100pF 50V	
C434	BICC104500KA04	C CAPACITOR	0.1uF 50V		C736	BICC101500JA04	C CAPACITOR	100pF 50V	
C436	BICC104500KA04	C CAPACITOR	0.1uF 50V		C737	BICC101500JA04	C CAPACITOR	100pF 50V	
C437	BICC475250KA02	C CAPACITOR	4.7uF 25V	B, E, EN, E V, A, US, U W, UJ	C738	BICC101500JA04	C CAPACITOR	100pF 50V	
C438	BICC106063MA04	C CAPACITOR	10uF		C739	BICC101500JA04	C CAPACITOR	100pF 50V	
C439	BICC106063MA04	C CAPACITOR	10uF		C740	BICC101500JA04	C CAPACITOR	100pF 50V	
C440	BICC106063MA04	C CAPACITOR	10uF		C741	BICC101500JA04	C CAPACITOR	100pF 50V	
C441	BICT476100MA00	TA CAPACITOR	47uF 10V		C742	BICC101500JA04	C CAPACITOR	100pF 50V	
C442	BICC106063MA04	C CAPACITOR	10uF		C743	BICC101500JA04	C CAPACITOR	100pF 50V	
C443	BICC106063MA04	C CAPACITOR	10uF		C744	BICC101500JA04	C CAPACITOR	100pF 50V	
C444	BICT476100MA00	TA CAPACITOR	47uF 10V		C745	BICC104500KA04	C CAPACITOR	0.1uF 50V	
C445	BICC104500KA04	C CAPACITOR	0.1uF 50V		C746	BICC101500JA04	C CAPACITOR	100pF 50V	
C446	BICT476100MA00	TA CAPACITOR	47uF 10V		C747	BICC101500JA04	C CAPACITOR	100pF 50V	
C447	BICC104500KA04	C CAPACITOR	0.1uF 50V		C748	BICC101500JA04	C CAPACITOR	100pF 50V	
C448	BICC331500JA04	C CAPACITOR	330pF 50V		C749	BICC101500JA04	C CAPACITOR	100pF 50V	
C449	BICC331500JA04	C CAPACITOR	330pF 50V		C750	BICC104500KA04	C CAPACITOR	0.1uF 50V	
C465	BICC470500JA04	C CAPACITOR	47pF 50V		C751	BICC104500KA04	C CAPACITOR	0.1uF 50V	
C466	BICC470500JA04	C CAPACITOR	47pF 50V		C753	BICC104500KA04	C CAPACITOR	0.1uF 50V	
C467	BICC470500JA04	C CAPACITOR	47pF 50V		C756	BICC104500KA04	C CAPACITOR	0.1uF 50V	
C468	BICC470500JA04	C CAPACITOR	47pF 50V		C757	BICE227100MP01	E CAPACITOR	220uF 10V	
C469	BICC470500JA04	C CAPACITOR	47pF 50V		C758	BICC104500KA04	C CAPACITOR	0.1uF 50V	
C470	BICC470500JA04	C CAPACITOR	47pF 50V		C759	BICE227100MP01	E CAPACITOR	220uF 10V	
C471	BICC470500JA04	C CAPACITOR	47pF 50V		C760	BICC104500KA04	C CAPACITOR	0.1uF 50V	
C472	BICC470500JA04	C CAPACITOR	47pF 50V		C761	BICC470500JA04	C CAPACITOR	47pF 50V	
C473	BICC470500JA04	C CAPACITOR	47pF 50V		C762	BICC470500JA04	C CAPACITOR	47pF 50V	
C474	BICC470500JA04	C CAPACITOR	47pF 50V		C763	BICC470500JA04	C CAPACITOR	47pF 50V	
					C764	BICC470500JA04	C CAPACITOR	47pF 50V	
					C765	BICC470500JA04	C CAPACITOR	47pF 50V	

△ Symbol No.	Part No.	Part Name	Description	Local	△ Symbol No.	Part No.	Part Name	Description	Local
C766	BICC470500JA04	C CAPACITOR	47pF 50V		R357	BIRC0000105A00	C RESISTOR	0Ω 1/10W	B,E,EN,E V
C767	BICC470500JA04	C CAPACITOR	47pF 50V		R357	BIRC1240105A00	C RESISTOR	120KΩ 1/10W	UW
C768	BICC470500JA04	C CAPACITOR	47pF 50V		R357	BIRC3930105A00	C RESISTOR	39KΩ 1/10W	US,UJ
C801	BICC030500CA04	C CAPACITOR	3pF 50V		R357	BIRC1830105A00	C RESISTOR	18KΩ 1/10W	A
C802	BICC105250KA04	CAPACITOR	1uF 25V		R358	BIRC1030105A00	C RESISTOR	10KΩ 1/10W	
C803	BICC105250KA04	CAPACITOR	1uF 25V		R359	BIRC1020105A00	C RESISTOR	1KΩ 1/10W	
C804	BICC561500KA04	C CAPACITOR	560pF 50V		R360	BIRC1020105A00	C RESISTOR	1KΩ 1/10W	
C806	BICC104500KA04	C CAPACITOR	0.1uF 50V		R361	BIRC1020105A00	C RESISTOR	1KΩ 1/10W	
C807	BICC104500KA04	C CAPACITOR	0.1uF 50V		R362	BIRC0000025A00	C JUMPER	1/2W	
C808	BICC104500KA04	C CAPACITOR	0.1uF 50V		R363	BIRC0000085A00	C RESISTOR	0Ω 1/8W	
C809	BICC561500KA04	C CAPACITOR	560pF 50V		R364	BIRC4730105A00	C RESISTOR	47KΩ 1/10W	
C810	BICC123500KA04	C CAPACITOR	0.012uF		R365	BIRC4730105A00	C RESISTOR	47KΩ 1/10W	
C811	BICC184100KA04	C CAPACITOR	0.18uF 10V		R366	BIRC1020105A00	C RESISTOR	1KΩ 1/10W	
C812	BICC104500KA04	C CAPACITOR	0.1uF 50V		R367	BIRC1020105A00	C RESISTOR	1KΩ 1/10W	
C813	BICT476100MA00	TA CAPACITOR	47uF 10V		R368	BIRC1030105A00	C RESISTOR	10KΩ 1/10W	
C814	BICC104500KA04	C CAPACITOR	0.1uF 50V		R369	BIRC1020105A00	C RESISTOR	1KΩ 1/10W	
C815	BICC104500KA04	C CAPACITOR	0.1uF 50V		R370	BIRC1010105A00	C RESISTOR	100Ω 1/10W	
C816	BICT476063MA00	TA CAPACITOR	47uF 6.3V		R371	BIRC1010105A00	C RESISTOR	100Ω 1/10W	
C817	BICC101500JA04	C CAPACITOR	100pF 50V	J,C	R372	BIRC4720105A00	C RESISTOR	4.7KΩ 1/10W	
C818	BICC101500JA04	C CAPACITOR	100pF 50V	J,C	R373	BIRC1020105A00	C RESISTOR	1KΩ 1/10W	
R301	BIRC1020105A00	C RESISTOR	1KΩ 1/10W		R374	BIRC0000085A00	C RESISTOR	0Ω 1/8W	
R302	BIRC1030105A00	C RESISTOR	10KΩ 1/10W		R375	BIRC0000085A00	C RESISTOR	0Ω 1/8W	
△ R303	BIRCW0100050X	RESISTOR	1Ω		R376	BIRC0000085A00	C RESISTOR	0Ω 1/8W	
R304	BIRC0000105A00	C RESISTOR	0Ω 1/10W		R377	BIRC1030105A00	C RESISTOR	10KΩ 1/10W	
R305	BIRC1020105A00	C RESISTOR	1KΩ 1/10W		R378	BIRC1020105A00	C RESISTOR	1KΩ 1/10W	
R306	BIRC0000105A00	C RESISTOR	0Ω 1/10W		R379	BIRC1020105A00	C RESISTOR	1KΩ 1/10W	
R307	BIRC0000105A00	C RESISTOR	0Ω 1/10W		R380	BIRC1020105A00	C RESISTOR	1KΩ 1/10W	
R308	BIRC1050105A00	C RESISTOR	1MΩ 1/10W	J,C	R381	BIRC1020105A00	C RESISTOR	1KΩ 1/10W	
R309	BIRC2210105A00	C RESISTOR	220Ω 1/10W	J,C	R382	BIRC1000105A00	C RESISTOR	10Ω 1/10W	
R310	BIRC1030105A00	C RESISTOR	10KΩ 1/10W		R383	BIRC5620105A00	C RESISTOR	5.6KΩ 1/10W	
R311	BIRC0000085A00	C RESISTOR	0Ω 1/8W		R384	BIRC5620105A00	C RESISTOR	5.6KΩ 1/10W	
R312	BIRC1030105A00	C RESISTOR	10KΩ 1/10W		R385	BIRC2230105A00	C RESISTOR	22KΩ 1/10W	
R314	BIRC1020105A00	C RESISTOR	1KΩ 1/10W		R386	BIRC6840105A00	C RESISTOR	680KΩ 1/10W	
R315	BIRC2210105A00	C RESISTOR	220Ω 1/10W		R387	BIRC1230105A00	C RESISTOR	12KΩ 1/10W	
R316	BIRC1020105A00	C RESISTOR	1KΩ 1/10W		R388	BIRC1030105A00	C RESISTOR	10KΩ 1/10W	
R317	BIRC3910105A00	C RESISTOR	390Ω 1/10W		R389	BIRC1030105A00	C RESISTOR	10KΩ 1/10W	
R318	BIRC4720105A00	C RESISTOR	4.7KΩ 1/10W		R390	BIRC3320105A00	C RESISTOR	3.3KΩ 1/10W	
R319	BIRC1020105A00	C RESISTOR	1KΩ 1/10W		R391	BIRC6820105A00	C RESISTOR	6.8KΩ 1/10W	
R320	BIRC1030105A00	C RESISTOR	10KΩ 1/10W		R392	BIRC3320105A00	C RESISTOR	3.3KΩ 1/10W	
R321	BIRC4700085A00	C RESISTOR	47 Ω 1/8W		R393	BIRC6820105A00	C RESISTOR	6.8KΩ 1/10W	
R322	BIRC3900085A00	C RESISTOR	39 Ω 1/8W		R394	BIRC0000085A00	C RESISTOR	0Ω 1/8W	
R323	BIRC1030105A00	C RESISTOR	10KΩ 1/10W		R395	BIRC0000085A00	C RESISTOR	0Ω 1/8W	
R324	BIRC1050105A00	C RESISTOR	1MΩ 1/10W		R397	BIRC0000085A00	C RESISTOR	0Ω 1/8W	
R325	BIRC1020105A00	C RESISTOR	1KΩ 1/10W		R398	BIRC0000085A00	C RESISTOR	0Ω 1/8W	
R326	BIRC1020105A00	C RESISTOR	1KΩ 1/10W		R399	BIRC6820105A00	C RESISTOR	6.8KΩ 1/10W	
R327	BIRC2030105A00	C RESISTOR	20KΩ 1/10W		R401	BIRC1020105A00	C RESISTOR	1KΩ 1/10W	
R328	BIRC4730105A00	C RESISTOR	47KΩ 1/10W		R402	BIRC4710105A00	C RESISTOR	470Ω 1/10W	
R329	BIRC1020105A00	C RESISTOR	1KΩ 1/10W		R403	BIRC1020105A00	C RESISTOR	1KΩ 1/10W	
R330	BIRC0000025A00	C RESISTOR	1/2W	B,E,EN,E V,A,US,U W,UJ	R405	BIRC1030105A00	C RESISTOR	10KΩ 1/10W	
R331	BIRC0000105A00	C RESISTOR	0Ω 1/10W		R407	BIRC4730105A00	C RESISTOR	47KΩ 1/10W	
R332	BIRC1020105A00	C RESISTOR	1KΩ 1/10W		R408	BIRC4730105A00	C RESISTOR	47KΩ 1/10W	
R333	BIRC1020105A00	C RESISTOR	1KΩ 1/10W		R409	BIRC1820105A00	C RESISTOR	1.8KΩ 1/10W	
R334	BIRC1030105A00	C RESISTOR	10KΩ 1/10W		R411	BIRC0000105A00	C RESISTOR	0Ω 1/10W	
R335	BIRC1020105A00	C RESISTOR	1KΩ 1/10W		R412	BIRC1020105A00	C RESISTOR	1KΩ 1/10W	
R336	BIRC1020105A00	C RESISTOR	1KΩ 1/10W		R413	BIRC1030105A00	C RESISTOR	10KΩ 1/10W	
R337	BIRC1020105A00	C RESISTOR	1KΩ 1/10W		R415	BIRC1030105A00	C RESISTOR	10KΩ 1/10W	
R338	BIRC1030105A00	C RESISTOR	10KΩ 1/10W		R418	BIRC1010105A00	C RESISTOR	100Ω 1/10W	
R339	BIRC1030105A00	C RESISTOR	10KΩ 1/10W		R419	BIRC4730105A00	C RESISTOR	47KΩ 1/10W	
R341	BIRC1820105A00	C RESISTOR	1.8KΩ 1/10W		R420	BIRC4720105A00	C RESISTOR	4.7KΩ 1/10W	
R342	BIRC1030105A00	C RESISTOR	10KΩ 1/10W		R421	BIRC1010105A00	C RESISTOR	100Ω 1/10W	
R343	BIRC1030105A00	C RESISTOR	10KΩ 1/10W		R422	BIRC1010105A00	C RESISTOR	100Ω 1/10W	
R344	BIRC1020105A00	C RESISTOR	1KΩ 1/10W		R423	BIRC4730105A00	C RESISTOR	47KΩ 1/10W	
R345	BIRC1020105A00	C RESISTOR	1KΩ 1/10W		R424	BIRC1530105A00	C RESISTOR	15KΩ 1/10W	
R346	BIRC1030105A00	C RESISTOR	10KΩ 1/10W		R426	BIRC0000105A00	C RESISTOR	0Ω 1/10W	
R347	BIRC4730105A00	C RESISTOR	47KΩ 1/10W		R427	BIRC1010105A00	C RESISTOR	100Ω 1/10W	
R348	BIRC1820105A00	C RESISTOR	1.8KΩ 1/10W		R432	BIRC1030105A00	C RESISTOR	10KΩ 1/10W	
R349	BIRC1030105A00	C RESISTOR	10KΩ 1/10W		R433	BIRC1030105A00	C RESISTOR	10KΩ 1/10W	
R350	BIRC1030105A00	C RESISTOR	10KΩ 1/10W		R434	BIRC1030105A00	C RESISTOR	10KΩ 1/10W	
R351	BIRC1020105A00	C RESISTOR	1KΩ 1/10W		R436	BIRC1030105A00	C RESISTOR	10KΩ 1/10W	
R352	BIRC4720105A00	C RESISTOR	4.7KΩ 1/10W		R437	BIRC2220105A00	C RESISTOR	2.2KΩ 1/10W	
R353	BIRC1020105A00	C RESISTOR	1KΩ 1/10W		R438	BIRC2220105A00	C RESISTOR	2.2KΩ 1/10W	
R354	BIRC4730105A00	C RESISTOR	47KΩ 1/10W		R439	BIRC1030105A00	C RESISTOR	10KΩ 1/10W	
R355	BIRC1020105A00	C RESISTOR	1KΩ 1/10W		R440	BIRC4730105A00	C RESISTOR	47KΩ 1/10W	
R356	BIRC1030105A00	C RESISTOR	10KΩ 1/10W		R441	BIRC4730105A00	C RESISTOR	47KΩ 1/10W	
R357	BIRC5620105A00	C RESISTOR	5.6KΩ 1/10W	J,C	R442	BIRC1010105A00	C RESISTOR	100Ω 1/10W	
					R443	BIRC1010105A00	C RESISTOR	100Ω 1/10W	
					R444	BIRC1030105A00	C RESISTOR	10KΩ 1/10W	

△ Symbol No.	Part No.	Part Name	Description	Local	△ Symbol No.	Part No.	Part Name	Description	Local
R445	BIRC1030105A00	C RESISTOR	10KΩ 1/10W		R757	BIRC1510085A00	C RESISTOR	150Ω 1/8W	
R446	BIRC1040105A00	C RESISTOR	100KΩ 1/10W		R758	BIRC4730105A00	C RESISTOR	47KΩ 1/10W	
R447	BIRC1040105A00	C RESISTOR	100KΩ 1/10W		R759	BIRC3310105A00	C RESISTOR	330Ω 1/10W	
R448	BIRC4720105A00	C RESISTOR	4.7KΩ 1/10W		R760	BIRC1820105A00	C RESISTOR	1.8KΩ 1/10W	
R449	BIRC4720105A00	C RESISTOR	4.7KΩ 1/10W		R761	BIRC1820105A00	C RESISTOR	1.8KΩ 1/10W	
R450	BIRC4700105A00	C RESISTOR	47Ω 1/10W		R764	BIRC1510085A00	C RESISTOR	150Ω 1/8W	
R452	BIRC1030105A00	C RESISTOR	10KΩ 1/10W		R765	BIRC4730105A00	C RESISTOR	47KΩ 1/10W	
R454	BIRC4730105A00	C RESISTOR	47KΩ 1/10W		R766	BIRC3310105A00	C RESISTOR	330Ω 1/10W	
R455	BIRC1030105A00	C RESISTOR	10KΩ 1/10W		R776	BIRC4700105A00	C RESISTOR	47Ω 1/10W	
R457	BIRC1030105A00	C RESISTOR	10KΩ 1/10W		R791	BIRC0000105A00	C RESISTOR	0Ω 1/10W	
R458	BIRC1030105A00	C RESISTOR	10KΩ 1/10W		R792	BIRC0000105A00	C RESISTOR	0Ω 1/10W	
R459	BIRC1030105A00	C RESISTOR	10KΩ 1/10W		R793	BIRC7500105A00	C RESISTOR	75Ω 1/10W	
R465	BIRC1020105A00	C RESISTOR	1KΩ 1/10W		R794	BIRC7500105A00	C RESISTOR	75Ω 1/10W	
R466	BIRC1020105A00	C RESISTOR	1KΩ 1/10W		R803	BIRC1050105A00	C RESISTOR	1MΩ 1/10W	
R467	BIRC1020105A00	C RESISTOR	1KΩ 1/10W		R808	BIRC4720105A00	C RESISTOR	4.7KΩ 1/10W	
R468	BIRC1020105A00	C RESISTOR	1KΩ 1/10W		R809	BIRC4720105A00	C RESISTOR	4.7KΩ 1/10W	
R469	BIRC1020105A00	C RESISTOR	1KΩ 1/10W		R810	BIRC0000105A00	C RESISTOR	0Ω 1/10W	
R470	BIRC1020105A00	C RESISTOR	1KΩ 1/10W		L302	BI26BLM21BA000	COIL	BLM21B272S	
R471	BIRC1020105A00	C RESISTOR	1KΩ 1/10W		L303	BI26BLM21BA000	COIL	BLM21B272S	
R472	BIRC1020105A00	C RESISTOR	1KΩ 1/10W		L304	BI26BLM21BA000	COIL	BLM21B272S	
R473	BIRC1020105A00	C RESISTOR	1KΩ 1/10W		L305	BI26BLM21BA000	COIL	BLM21B272S	
R474	BIRC1020105A00	C RESISTOR	1KΩ 1/10W		L306	BI26BLM21BA000	COIL	BLM21B272S	
R475	BIRC1020105A00	C RESISTOR	1KΩ 1/10W		L307	BI26BLM21BA000	COIL	BLM21B272S	
R476	BIRC1020105A00	C RESISTOR	1KΩ 1/10W		L308	BI26BLM21BA000	COIL	BLM21B272S	
R701	BIRC4730105A00	C RESISTOR	47KΩ 1/10W		L313	BI18APZU221A00	C FERRITE	220 Ω AT 100MHz	
R703	BIRC1020105A00	C RESISTOR	1KΩ 1/10W		L314	BI18APZU221A00	C FERRITE	220 Ω AT 100MHz	
R704	BIRC1020105A00	C RESISTOR	1KΩ 1/10W		L315	BI18HG102SNA00	C FERRITE	1000Ω at 100MHz	
R705	BIRC3310105A00	C RESISTOR	330Ω 1/10W		L701	BI18HG102SNA00	C FERRITE	1000Ω at 100MHz	
R706	BIRC1030105A00	C RESISTOR	10KΩ 1/10W		L702	BI18HG102SNA00	C FERRITE	1000Ω at 100MHz	
R707	BIRC1030105A00	C RESISTOR	10KΩ 1/10W		L703	BI18HG102SNA00	C FERRITE	1000Ω at 100MHz	
R709	BIRC1030105A00	C RESISTOR	10KΩ 1/10W		L704	BI26101000KA00	COIL	100uH	
R710	BIRC1030105A00	C RESISTOR	10KΩ 1/10W		L705	BI26BLM18BA00	CHOKO COIL	BLM18BD102SN1	
R711	BIRC1030105A00	C RESISTOR	10KΩ 1/10W		L706	BI26BLM18BA00	CHOKO COIL	BLM18BD102SN1	
R712	BIRC1030105A00	C RESISTOR	10KΩ 1/10W		L707	BI26BLM18BA00	CHOKO COIL	BLM18BD102SN1	
R713	BIRC1030105A00	C RESISTOR	10KΩ 1/10W		L708	BI26BLM18BA00	CHOKO COIL	BLM18BD102SN1	
R714	BIRC1030105A00	C RESISTOR	10KΩ 1/10W		L709	BI18HG102SNA00	C FERRITE	1000Ω at 100MHz	
R715	BIRC1030105A00	C RESISTOR	10KΩ 1/10W		L710	BI18HG102SNA00	C FERRITE	1000Ω at 100MHz	
R716	BIRC1030105A00	C RESISTOR	10KΩ 1/10W		L711	BI18HG102SNA00	C FERRITE	1000Ω at 100MHz	
R717	BIRC4720105A00	C RESISTOR	4.7KΩ 1/10W		L801	BI2627C008JA01	INDUCTORS	27nH +/-5%	
R718	BIRC4720105A00	C RESISTOR	4.7KΩ 1/10W		L802	BI26470000MA00	INDUCTORS	47uH +/-20%	
R719	BIRC1030105A00	C RESISTOR	10KΩ 1/10W		T801	BI605501V	ANTENNA COIL	IFT-7SB-3802-00-L	J,C
R720	BIRC1030105A00	C RESISTOR	10KΩ 1/10W		CN304	BI12S40047	CONNECTOR	FOR SPEAKER	
R721	BIRC1030105A00	C RESISTOR	10KΩ 1/10W		CN306	BI12S600961	CONNECTOR	(SW PORT)	
R722	BIRC1030105A00	C RESISTOR	10KΩ 1/10W		CN308	BI12S120063X	CONNECTOR	FOR CN601	
R723	BIRC1020105A00	C RESISTOR	1KΩ 1/10W		CN801	BI240H02250M01	CONNECTOR	FOR AM ANT	J,C
R724	BIRC1020105A00	C RESISTOR	1KΩ 1/10W		CN301A	BI12S700221X	CONNECTOR	FOR CN301B	
R725	BIRC1030105A00	C RESISTOR	10KΩ 1/10W		CN302A	BI12S30063	SOCKET CONN	FOR CN302B	
R726	BIRC1030105A00	C RESISTOR	10KΩ 1/10W		CN302A	BI12S30063X	SOCKET CONN	3PINS	J,C,A,US, UW,UJ B,E,EN,E V
R727	BIRC1030105A00	C RESISTOR	10KΩ 1/10W		CN303A	BI12S20016	CONNECTOR	FOR CN303B	
R728	BIRC1820105A00	C RESISTOR	1.8KΩ 1/10W		CN307A	BI240V02396M01	CONNECTOR	FOR AC ADAPTOR	J,C
R729	BIRC1030105A00	C RESISTOR	10KΩ 1/10W		CN307A	BI12P30293X	CONNECTOR	3P	B,E,EN,E V.A,US,U W,UJ
R730	BIRC1820105A00	C RESISTOR	1.8KΩ 1/10W		CN710A	BI240V12125M01	CONNECTOR	FOR CN710B	
R731	BIRC1030105A00	C RESISTOR	10KΩ 1/10W		CN711A	BI240V12125M01	CONNECTOR	FOR CN711B	
R732	BIRC1030105A00	C RESISTOR	10KΩ 1/10W		CN712A	BI240V04125M01	CONNECTOR	FOR CN712B	
R733	BIRC1020105A00	C RESISTOR	1KΩ 1/10W		CN713A	BI240V04125M01	CONNECTOR	FOR CN713B	
R734	BIRC1550105A00	C RESISTOR	1.5M Ω		F801	BI26NFL18SPA00	CHOKO COIL	EMI SUPPRESSION	
R735	BIRC1550105A00	C RESISTOR	1.5M Ω		JK801	BI23B2522X	ANTENNA JACK	FM	
R736	BIRC1550105A00	C RESISTOR	1.5M Ω		RN301	BIRN1020105A40	C RESISTOR	4x1KΩ 1/10W	
R737	BIRC1810105A00	C RESISTOR	180Ω 1/10W		RN302	BIRN1020105A40	C RESISTOR	4x1KΩ 1/10W	
R738	BIRC4700105A00	C RESISTOR	47Ω 1/10W		RN303	BIRN1020105A40	C RESISTOR	4x1KΩ 1/10W	
R739	BIRC1020105A00	C RESISTOR	1KΩ 1/10W		RN304	BIRN1020105A40	C RESISTOR	4x1KΩ 1/10W	
R740	BIRC9100105A00	C RESISTOR	91Ω 1/10W		RN305	BIRN1020105A40	C RESISTOR	4x1KΩ 1/10W	
R741	BIRC5600105A00	C RESISTOR	56Ω 1/10W		RN801	BIRN1010105A40	C RESISTOR	4x100Ω 1/10W	J,C,A,US, UW,UJ B,E,EN,E V
R742	BIRC1810105A00	C RESISTOR	180Ω 1/10W		RN801	BIRN1020105A40	C RESISTOR	4x1KΩ 1/10W	
R743	BIRC2700105A00	C RESISTOR	27 Ω 1/10W		WP301	BI11A050M0Y	BLACK WIRE	50mm UL1007	
R744	BIRC4730105A00	C RESISTOR	47KΩ 1/10W		WP302	BI11A050M0Y	BLACK WIRE	50mm UL1007	
R745	BIRC3310105A00	C RESISTOR	330Ω 1/10W		WP303	BI11A050M0Y	BLACK WIRE	50mm UL1007	
R746	BIRC1550105A00	C RESISTOR	1.5M Ω		WP304	BI2035220101X1	POST PIN	DIA:1.3mm	
R747	BIRC1550105A00	C RESISTOR	1.5M Ω		WP306	BI11AT050M01X	WIRE ASSEMBLY	50mm	
R748	BIRC1550105A00	C RESISTOR	1.5M Ω		WP307	BI11A050M0Y	BLACK WIRE	50mm UL1007	
R749	BIRC1810105A00	C RESISTOR	180Ω 1/10W		X302	BI2103251X	CRYSTAL	SJK-6K8-16.000M-20	
R750	BIRC4700105A00	C RESISTOR	47Ω 1/10W						
R751	BIRC9100105A00	C RESISTOR	91Ω 1/10W						
R752	BIRC5600105A00	C RESISTOR	56Ω 1/10W						
R753	BIRC1810105A00	C RESISTOR	180Ω 1/10W						
R754	BIRC2700105A00	C RESISTOR	27 Ω 1/10W						
R755	BIRC1810105A00	C RESISTOR	180Ω 1/10W						
R756	BIRC1810105A00	C RESISTOR	180Ω 1/10W						

△ Symbol No.	Part No.	Part Name	Description	Local
X303	BI2101012	CRYSTAL	32.768KHz	
X801	BI2103261V	CRYSTAL	19.200MHz 3x8mm	
XXXXX	BI2034930101X1	SHIELD PLATE A		

LCD board

Block No. [0][2]

△ Symbol No.	Part No.	Part Name	Description	Local
IR601	BI100HM338S000	IC	HM338-S3	
U601	BI126621VN	BONDING IC	HT1622	
Q601	DTC114YK	DIGI TRANSISTOR	BI2DTC114YKA018	
Q602	KTA1505	TRANSISTOR	BI2KTA1505A014	
Q603	DTC114YK	DIGI TRANSISTOR	BI2DTC114YKA018	
Q604	2SC3052	TRANSISTOR	BI2SC3052FA013H	
Q606	DTC114YK	DIGI TRANSISTOR	BI2DTC114YKA018	
D601	BI28SLB25VRP01	LED	SLB-25VR	
D602	BI167060012001	BACK LIGHT	WHITE	
C601	BICC104500KA04	C CAPACITOR	0.1uF 50V	
C602	BICT476100MA00	TA CAPACITOR	47uF 10V	
C603	BICC102500KA04	C CAPACITOR	1000pF 50V	
C604	BICC104500KA04	C CAPACITOR	0.1uF 50V	
C605	BICC101500JA04	C CAPACITOR	100pF 50V	
C606	BICC101500JA04	C CAPACITOR	100pF 50V	
C607	BICC101500JA04	C CAPACITOR	100pF 50V	
C608	BICC101500JA04	C CAPACITOR	100pF 50V	
C609	BICC101500JA04	C CAPACITOR	100pF 50V	
C610	BICC101500JA04	C CAPACITOR	100pF 50V	
C611	BICC101500JA04	C CAPACITOR	100pF 50V	
C612	BICC101500JA04	C CAPACITOR	100pF 50V	
C613	BICC101500JA04	C CAPACITOR	100pF 50V	
C614	BICC104500KA04	C CAPACITOR	0.1uF 50V	
C615	BICT476100MA00	TA CAPACITOR	47uF 10V	
C616	BICC104500KA04	C CAPACITOR	0.1uF 50V	
R602	BIRC1020105A00	C RESISTOR	1KΩ 1/10W	
R603	BIRC9110105A00	C RESISTOR	910Ω 1/10W	
R604	BIRC1120105A00	C RESISTOR	1.1KΩ 1/10W	
R605	BIRC1220105A00	C RESISTOR	1.2KΩ 1/10W	
R606	BIRC1010105A00	C RESISTOR	100Ω 1/10W	
R607	BIRC1820105A00	C RESISTOR	1.8KΩ 1/10W	
R608	BIRC2020105A00	C RESISTOR	2KΩ 1/10W	
R609	BIRC3020105A00	C RESISTOR	3KΩ 1/10W	
R610	BIRC6220105A00	C RESISTOR	6.2KΩ 1/10W	
R611	BIRC1030105A00	C RESISTOR	10KΩ 1/10W	
R612	BIRC1030105A00	C RESISTOR	10KΩ 1/10W	
R613	BIRC1000105A00	C RESISTOR	10Ω 1/10W	
R614	BIRC2230105A00	C RESISTOR	22KΩ 1/10W	
R615	BIRC1010105A00	C RESISTOR	100Ω 1/10W	
R616	BIRC1040105A00	C RESISTOR	100KΩ 1/10W	
R617	BIRC3920105A00	C RESISTOR	3.9KΩ 1/10W	
R621	BIRC3310105A00	C RESISTOR	330Ω 1/10W	
R622	BIRC6810105A00	C RESISTOR	680Ω 1/10W	
R623	BIRC1020105A00	C RESISTOR	1KΩ 1/10W	
R625	BIRC4730105A00	C RESISTOR	47KΩ 1/10W	
R626	BIRC1010105A00	C RESISTOR	100Ω 1/10W	
R627	BIRC1010105A00	C RESISTOR	100Ω 1/10W	
R628	BIRC1010105A00	C RESISTOR	100Ω 1/10W	
R629	BIRC1010105A00	C RESISTOR	100Ω 1/10W	
R631	BIRC2220105A00	C RESISTOR	2.2KΩ 1/10W	
R633	BIRC5120105A00	C RESISTOR	5.1KΩ 1/10W	
R634	BIRC4710105A00	C RESISTOR	470Ω 1/10W	
R635	BIRC0000105A00	C RESISTOR	0Ω 1/10W	
R636	BIRC0000105A00	C RESISTOR	0Ω 1/10W	
L601	BI26BLM21BA000	COIL	BLM21B272S	
CN601	BI12S120063X	CONNECTOR	CN308	
LCD601	BI2702871XN	LCD	42 Pin	
S601	BI8ST1157AA001	TACT SWITCH	ST-1157A	
S602	BI8ST1157AA001	TACT SWITCH	ST-1157A	

△ Symbol No.	Part No.	Part Name	Description	Local
S603	BI8ST1157AA001	TACT SWITCH	ST-1157A	
S604	BI8ST1157AA001	TACT SWITCH	ST-1157A	
S605	BI8ST1157AA001	TACT SWITCH	ST-1157A	
S606	BI8ST1157AA001	TACT SWITCH	ST-1157A	
S607	BI8ST1157AA001	TACT SWITCH	ST-1157A	
S608	BI8ST1157AA001	TACT SWITCH	ST-1157A	
S609	BI8ST1157AA001	TACT SWITCH	ST-1157A	
S610	BI8ST1157AA001	TACT SWITCH	ST-1157A	
XXXXX	BI3030530101X1	RUBBER D		

iPod board

Block No. [0][3]

△ Symbol No.	Part No.	Part Name	Description	Local
Q781	BI2ME2306A019X	TRANSISTOR	N ME2306 SOT23	
Q782	BI2ME2306A019X	TRANSISTOR	N ME2306 SOT23	
D701	BI2819237R6A01	LED	19-237/R 6GHBHC	
D702	BI2819237R6A01	LED	19-237/R 6GHBHC	
C755	BICC104500KA04	C CAPACITOR	0.1uF 50V	
C761	BICC104500KA04	C CAPACITOR	0.1uF 50V	
R736	BIRC4939101A00	C RESISTOR	49.9KΩ 1/10W	
R737	BIRC4939101A00	C RESISTOR	49.9KΩ 1/10W	
R738	BIRC7530105A00	C RESISTOR	75KΩ 1/10W	
R739	BIRC7530105A00	C RESISTOR	75KΩ 1/10W	
R740	BIRC3930105A00	C RESISTOR	39KΩ 1/10W	
R741	BIRC5140105A00	C RESISTOR	510KΩ 1/10W	
R780	BIRC4939101A00	C RESISTOR	49.9KΩ 1/10W	
R781	BIRC4939101A00	C RESISTOR	49.9KΩ 1/10W	
R782	BIRC7530105A00	C RESISTOR	75KΩ 1/10W	
R783	BIRC7530105A00	C RESISTOR	75KΩ 1/10W	
R784	BIRC3930105A00	C RESISTOR	39KΩ 1/10W	
R785	BIRC5140105A00	C RESISTOR	510KΩ 1/10W	
R786	BIRC1030105A00	C RESISTOR	10KΩ 1/10W	
R787	BIRC1030105A00	C RESISTOR	10KΩ 1/10W	
L713	BI18APZU221A00	C FERRITE	220 Ω AT 100MHz	
L714	BI18APZU221A00	C FERRITE	220 Ω AT 100MHz	
CN702	BI12S300024X	SKT CONNECTOR	30P	
CN704	BI12S300024X	SKT CONNECTOR	30P	
CN710B	BI240V12125A01	CONNECTOR	CN710A	
CN711B	BI240V12125A01	CONNECTOR	CN711A	
CN712B	BI240V04125A01	CONNECTOR	CN712A	
CN713B	BI240V04125A01	CONNECTOR	CN713A	

Jack board

Block No. [0][4]

△ Symbol No.	Part No.	Part Name	Description	Local
Q201	DTC323TK	DIGI TRANSISTOR	BI2DTC323TKA011	
Q202	DTC323TK	DIGI TRANSISTOR	BI2DTC323TKA011	
Q203	DTC323TK	DIGI TRANSISTOR	BI2DTC323TKA011	
Q204	DTC323TK	DIGI TRANSISTOR	BI2DTC323TKA011	
D201	1SS355	DIODE	BI31SS355A0077	
D202	1SS355	DIODE	BI31SS355A0077	
D203	1SS355	DIODE	BI31SS355A0077	
D204	1SS355	DIODE	BI31SS355A0077	
D205	1SS355	DIODE	BI31SS355A0077	
D206	1SS355	DIODE	BI31SS355A0077	
C201	BICC103500KA04	C CAPACITOR	0.01uF 50V	
C202	BICC103500KA04	C CAPACITOR	0.01uF 50V	
C203	BICE227100MP11	E CAPACITOR	220uF 10V	
C204	BICE227100MP11	E CAPACITOR	220uF 10V	

Symbol No.	Part No.	Part Name	Description	Local
C205	BICC104500KA04	C CAPACITOR	0.1uF 50V	
C206	BICC104500KA04	C CAPACITOR	0.1uF 50V	
C207	BICC102500KA04	C CAPACITOR	1000pF 50V	
C208	BICC102500KA04	C CAPACITOR	1000pF 50V	
C209	BICC151500JA04	C CAPACITOR	150pF 50V	
C210	BICC151500JA04	C CAPACITOR	150pF 50V	
C211	BICC104500KA04	C CAPACITOR	0.1uF 50V	
C212	BICC101500JA04	C CAPACITOR	100pF 50V	
C213	BICE227100MP01	E CAPACITOR	220uF 10V	
R201	BIRC1020105A00	C RESISTOR	1KΩ 1/10W	
R202	BIRC1020105A00	C RESISTOR	1KΩ 1/10W	
R203	BIRC1510085A00	C RESISTOR	150Ω 1/8W	
R204	BIRC1510085A00	C RESISTOR	150Ω 1/8W	
R205	BIRC3940105A00	C RESISTOR	390KΩ 1/10W	
R206	BIRC7520105A00	C RESISTOR	7.5K Ω 1/10W	
R207	BIRC3940105A00	C RESISTOR	390KΩ 1/10W	
R208	BIRC7520105A00	C RESISTOR	7.5K Ω 1/10W	
L309	BI26100000KA00	CHOKE COIL	10uH K SDFL1608S10	
L310	BI26100000KA00	CHOKE COIL	10uH K SDFL1608S10	
L311	BI26BLM21BA000	COIL	BLM21B272S	
L312	BI26BLM21BA000	COIL	BLM21B272S	
CN301B	BI12P70114X1	CONNECTOR ASSY	CN301A	
CN302B	BI12P30288X	CONNECTOR	CN302A	
CN303B	BI12P20274X	CONNECTOR	CN303A	
JK201	BI23B2541X1	PHONE JACK		
JK202	BI23B2422X	JACK	AUDIO IN	
JK203	BI23F0671V	RCA JACK	RCA-112AK-04	
WP201	BI11A050M0Y	BLACK WIRE	50mm UL1007	
WP301A	BI11AT050M0X	WIRE ASSEMBLY	1P L=50mm	

DC jack board

Block No. [0][5]

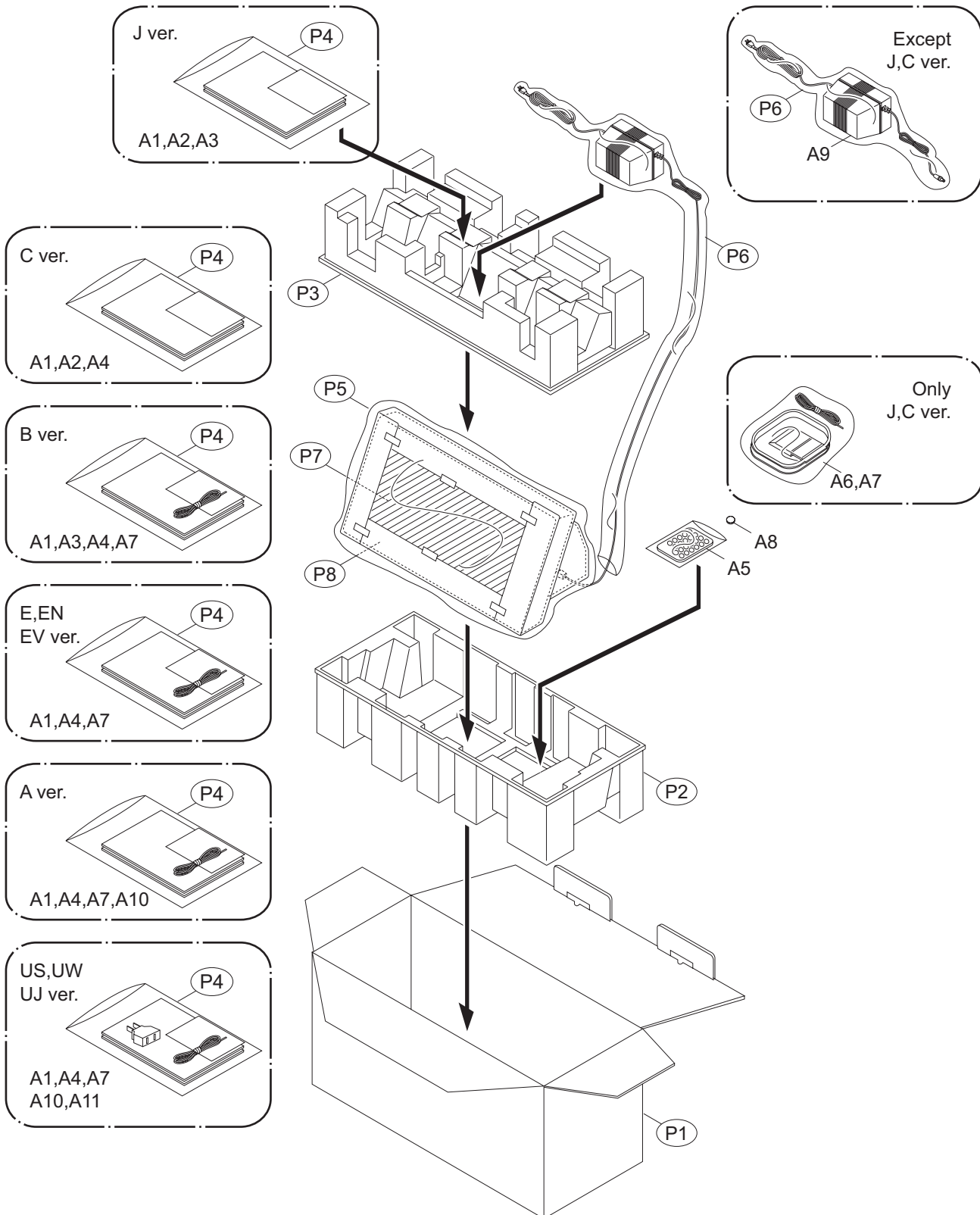
Symbol No.	Part No.	Part Name	Description	Local
CN307B	BI240V03396M01	CONNECTOR	3P	B,E,EN,EV,A, US,UW,UJ
JK204	BI23A0541X	DC POWER JACK	D: 3 mm	B,E,EN,EV,A, US,UW,UJ

<MEMO>

Packing materials and accessories parts list

Block No. M 3 M M

No additional / supplemental order of WARRANTY CARDS are available.



The parts without symbol number are not service.

Packing and Accessories

Block No. [M][3][M][M]

△	Symbol No.	Part No.	Part Name	Description	Local
	A 1	BI440002040000	INST BOOK	ENG	J
	A 1	BI440002088000	INST BOOK	ENG FRE	C
	A 1	BI440002109000	INST BOOK	ENG	B
	A 1	BI440002089000	INST BOOK	GER FRE ITA DUT	E
	A 1	BI440002108000	INST BOOK	SPA DAN FIN SWE POR	EN
	A 1	BI440002126000	INST BOOK	RUS HUN CZE POL	EV
	A 1	BI440002127000	INST BOOK	ENG	A
	A 1	BI440002107000	INST BOOK	ENG CHI(PEKIN)	US
	A 1	BI440002092000	INST BOOK	ENG SPA POR	UW
	A 1	BI440002125000	INST BOOK	ENG	UJ
	A 2	BI400023523000	SAFETY INST		J,C
	A 3	BI400053503001	REGISTER CARD		J
	A 3	BI400083291001	REGISTER CARD		B
	A 4	-----	WARRANTY CARD	BI400013282004	C
	A 4	-----	WARRANTY CARD	BI400013534003	B,E,EN,EV
	A 4	-----	WARRANTY CARD	BI400013525000	A,US,UW,UJ
	A 5	BIG60NXP705BX	REMOCON UNIT		J,C,A,US,UW,UJ
	A 5	BIG60NXP702BX	REMOCON UNIT		B,E,EN,EV
	A 6	BIAN01651X	LOOP ANT		J,C
	A 7	BIAN01371Y	ANT WIRE		
	A 8	-----	BATTERY	CR2025 3V	
△	A 9	BI212011030001	AC ADAPTOR		B
△	A 9	BI212011023001	AC ADAPTOR		E,EN,EV,US,UW,UJ
△	A 9	BI212011029001	AC ADAPTOR		A
	A 10	-----	WARRANTY CARD	BI400013526000	A,US,UW,UJ
△	A 11	BI23A0095X	CONVERSION PLUG		US,UW,UJ
	P 1	BI410011323000	CARTON		J,C
	P 1	BI410011378001	CARTON		B,E,EN,EV
	P 1	BI410011411001	CARTON		A,US,UW,UJ
	P 2	BI450052060000	BOTTOM CUSHION		
	P 3	BI450052059000	TOP CUSHION		
	P 4	BI470011057005	POLY BAG	FOR INST	
	P 5	BI450022021000	EPE FOAM BAG		
	P 6	BI470011888000	POLY BAG		
	P 7	BI420011300000	PAPER SHEET		
	P 8	BI450011134001	SHEET CROTH		